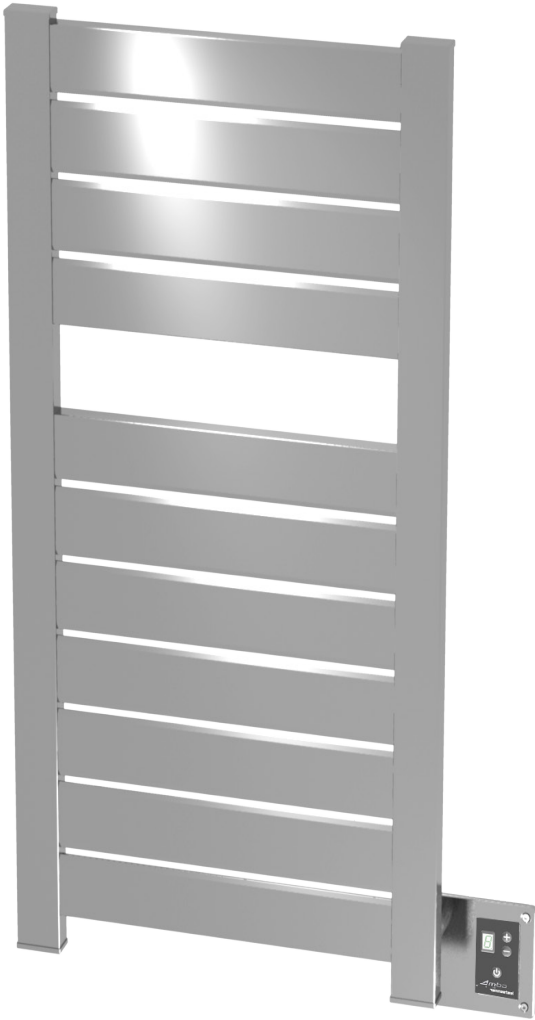


# Instructions for Use & Installation

# VEGA COLLECTION

110v



SKU	WIDTH	HEIGHT	POWER	AMPS	BTU
V2322	22 7/8"	22"	180 watts	1.4	546
V2342	22 7/8"	42 1/2"	296 watts	2.6	1009
V2352	22 7/8"	51 1/2"	370 watts	3.2	1262

## COMPONENTS



- 1 – Plastic Anchor
- 2 – Threaded Wall Support
- 3 – Anchor Screw
- 4 – Threaded Long Tube
- 5 – Setscrew
- 6 – Fixing Screw
- 7 – Bushing



### DIGITAL HEAT CONTROLLER

Please see Instructions;  
 DHC Included on all models  
 For optional switch see guide

CONSULT THIS INSTRUCTION MANUAL IN ITS ENTIRETY PRIOR TO THE HANDLING & INSTALLATION OF ANY TOWEL WARMER

FOLLOW THE GENERAL GUIDELINES & INCLUDED WIRING DIAGRAM.



790 Pickens Industrial Dr,  
 Marietta, GA 30339 USA  
 Phone : [ 404 ] 350 9738  
 Fax : [ 404 ] 355 0166

**WWW.AMBAPRODUCTS.COM**

# IMPORTANT INSTRUCTIONS

## WARNINGS & PRECAUTIONS

### **BEFORE INSTALLING THE TOWEL WARMER CAREFULLY READ ALL INSTRUCTIONS**

Ensure that VOLTAGE [V] & FREQUENCY [HZ] indicated in the serial number plate correspond to the voltage & frequency available in the place of installation

**AT RECEIPT OF GOODS, ENSURE THAT PACKAGING IS INTACT:  
ANY DAMAGES THAT OCCUR DURING TRANSPORT  
ARE NOT COVERED BY THE WARRANTY**

- This heater is hot when in use – to avoid burns do not let bare skin touch hot surfaces
- For indoor use only
- Wiring procedures & connections shall be in accordance with the national & local codes having jurisdiction
- Piling multiple towels on top of each other increases the risk of discoloring due to heat
- Discoloration of some towels may occur – this could be the result of fabric makeup, detergent residue, or if too many towels are placed on the towel warmer. For these reasons Amba products cannot be held liable for any damage to towels. Consider the option of using a digital heat controller for delicates, acrylics, or nylon – for further protection do not place items directly on unit
- When using electrical appliances, basic precautions should always be followed to reduce the risk of fire, electric shock, & injury to persons, including the following:
  - Utilize the heater only for warming rooms, or warming & drying towels
  - Utilize the heater as described in this manual only. Any other use not recommended by Amba Products may cause fire, electric shock, or injuries to individuals
  - Use only on 15 ampere branch circuit – a dedicated circuit is not required.
  - The unit has to be connected to a power-supply circuit equipped with an omni-polar disconnection electrical system, with a distance among contacts of 1/8”
- Caution: high temperature, risk of fire – keep electrical cords, drapery, furnishings, & other combustibles away from the front of the heater
- Bad smells may be caused by residues inside the heater, or by the inner plastic parts as unit operates with no liquids inside [dry system]
- Do not use heater in case of damaged wire or plug, in case of malfunction, drop, or other kind of circumstance that may require adjustments or repair: contact Amba Products
- We recommend the p.V.C. Protective tape is left in place until the heater is fully installed: please remove tape from bracket location first – after the installation, remove the P.V.C. Protective tape to avoid glue residue
- Be careful while handling the heater to avoid scratching, marking, grazing or denting the surface: these damages are not covered by the warranty
- Be careful during installation & use in the presence of children & disabled people
- To switch off the heater, press the on/off button
- Wiring the connection to the power source incorrectly will cause sparks & burning/breaking of the heater – consult installation instructions & wiring diagram carefully
- Ensure that the room trip switch is off before any maintenance operation
- Do not insert foreign bodies inside the heater in order to avoid electrical shocks, fire and damages to the heater
- Do not use the heater close to combustibles, paints, or any other flammable liquid
- Keep the heater away from water in order to avoid electrical shocks or damage to the unit
- Always install per local electrical code

**AMBA PRODUCTS DECLINES ANY RESPONSIBILITY IF THE INSTRUCTIONS MENTIONED ABOVE ARE NOT KEPT**

# MAINTENANCE UPKEEP & CARE

- Before any maintenance operation ensure that the power source is disconnected and that the switch is in the off position
- Before any maintenance wait for the unit to cool down completely
- Clean the outside surface with a soft cloth and liquid detergent or stainless steel cleaner
- Do not use abrasive cleaning or scouring products
- To maintain the delicate external finishes use the following methods with each finish:
  - Brushed finishes: rub the soft cloth following the grain of the finish
  - Polished finishes: do not rub cloth in a circular motion – do not use excessive force
- For residue buildup do not use extreme pressure on the surface to avoid scratches & damages to the heater
- It is also possible to use a solvent – use caution & make sure to read the technical forms and norms for its use
- In case of uncertainty, do not hesitate to contact Amba Products

Amba Products declines any responsibility if these instructions are not followed

## TECHNICAL SPECIFICATIONS

High-quality and high technology, given by a product certified and ratified according to European and American norms for electrical devices, made of components that meet the standard requirement of current safety regulations: The product's Heat Controller is certified ETL Canada and CE with protection degree IP54 that ensures consumer safety.



115v-10A 60Hz UL 2021 SAFETY FIXED AND LOCATION-DEDICATED ELECTRIC ROOM HEATERS

CSA C22.2 No. 46 ELECTRICAL AIR-HEATERS, ENVIRONMENTAL PRODUCTS GENERAL INSTRUCTION No. 1

220v-5A 50Hz CE EUROPEAN NORM

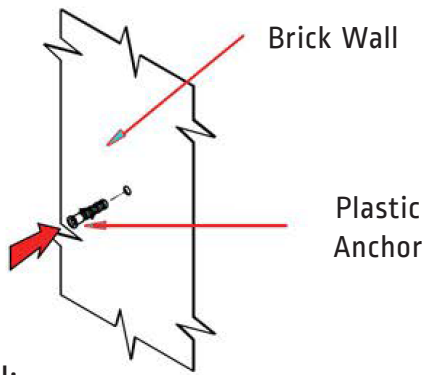
Surface temperatures of appliances during normal operations are maintained below the temperature of 60-65°C / 140-149°F without towels, and 90°C / 194°F with towels, as required by following standards:

MODEL <b>VEGA</b>	Normal Temperature of Appliance	60-65°C	140-149°F
	Temperature of Appliance with Towel	85-90°C	185-194°F

# INSTALLATION INSTRUCTIONS

## CAUTION:

DO NOT TAKE OFF THE PROTECTIVE P.V.C. TAPE BEFORE INSTALLING TOWEL WARMER TO AVOID SCRATCHING, MARKING OR GRAZING THE SURFACE.



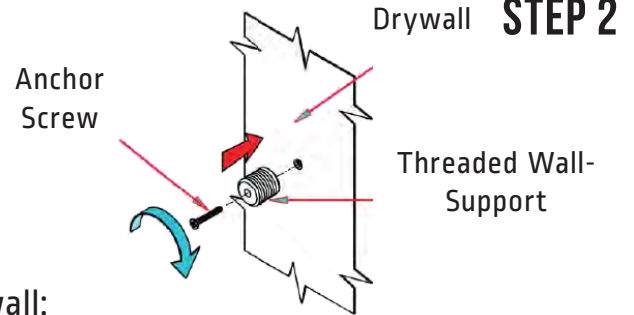
### STEP 1

#### Brick wall:

- Drill the holes in the wall  $\varnothing 6$  mm [ 1/4 inches] and put the plastic anchor [1] into the wall;

#### Drywall:

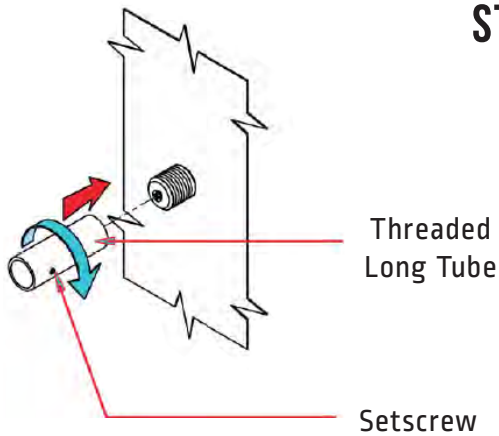
- Leave out the plastic anchor [1] and proceed with step 2



### STEP 2

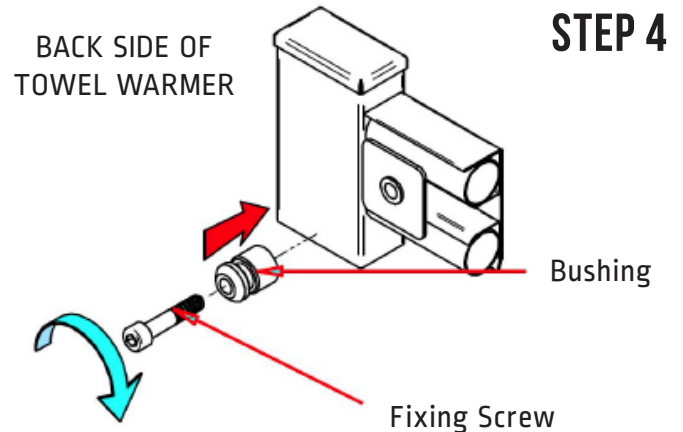
#### Drywall:

- Fasteners should be fixed to studs or structural members behind the drywall
- If not possible on both sides, toggle bolts can be used on one side.
- Proceed laying the threaded wall-support [2] on the hole and fasten it with the anchor bolt screw: repeat this procedure also for the other points marked on the wall



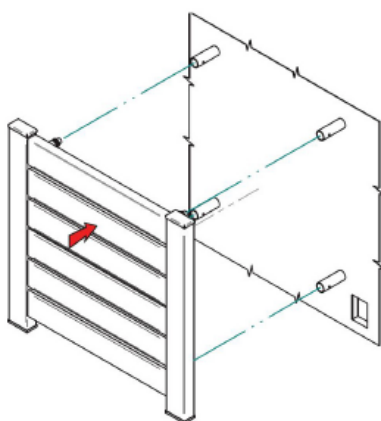
### STEP 3

- Take the threaded long tube [4] and screw it down completely to the threaded wall-support [2] ; to adjust the distance from wall unscrew tube



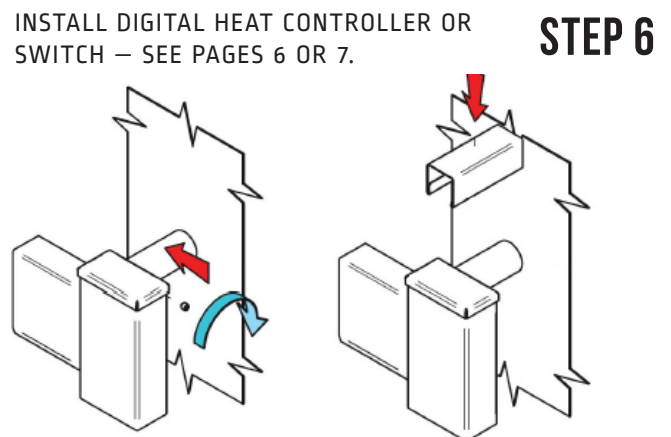
### STEP 4

- Lay the bushing [7] on the holes of the towel warmer. And fasten it with the fixing screw [6];
- Repeat this procedure also for the other connecting holes of the towel warmer.



### STEP 5

- Install the towel warmer in the four connections as shown in drawing. Technical Drawings can be found on our website [www.Ambaproducts.com](http://www.Ambaproducts.com)



### STEP 6

- For each leg fasten the Setscrew and place the cover onto the bracket  
REMOVE THE PROTECTIVE P.V.C. TAPE BEFORE SWITCHING THE TOWEL WARMER ON

# IMPORTANT INSTRUCTIONS

## WARNINGS & PRECAUTIONS

### DIGITAL HEAT CONTROLLER

All EMMESTEEL electric models can be integrated with the Digital heat Controller  
Manages the power supply to offer 9 different heat levels at a maximum power load of 1200w

The DHC control system is certified and ratified according to American and European norms for electric devices, made of components that meets the requirements of current safety regulations. The Digital Heat Controller is certified "ETL Canada, USA" and "CE with protection degree IP54", that ensure consumer safety.

WORKS BOTH WITH 115V AND 220V POWER SUPPLY SYSTEMS  
USE ONLY ON 15AMPERE BRANCH CIRCUIT

- Always ensure that at receipt of goods, the packaging is intact upon receipt
- Damage occurring during transportation are not covered by the warranty
- Be careful while handling the Digital Heat Controller in order not to scratch, mark, graze or dent the surface: the warranty does not cover these damages
- Do not use the digital heat controller in case of wire or damaged plug, in event of malfunction, fall or other kind of circumstances: contact Amba Products- see the "general terms of sale"
- We recommend that p.V.C. Protective tape is left in place until the digital heat controller is fully installed; however please remove tape before switching unit on as p.V.C. Protective tape may leave glue residues
- The digital heat controller regulates the power output of emmesteel range of towel warmers and heaters indicated in the catalogue and it is made for indoor use only
- Ensure that room trip switch is off before any operation;
- Wrong wiring connection to the power source will cause sparks and the burning/damage to the digital heat controller- carefully consult the wiring diagram
- Do not insert foreign bodies inside the digital heat controller in order to avoid electric shocks or damages to it
- Do not use the digital heat controller close to combustibles, paints or any other inflammable liquid
- Keep the digital heat controller reasonably away from water [as required by your local electrical codes], in order to avoid electric shocks, or damages to the digital heat controller
- Before installation and wiring consult the serial number label on the digital heat controller or read the electric specification table inside the manual of instructions
- Ensure that the power source switch is in off position
- While working, the digital heat controller may heat up-refer to data indicated in the serial number label
- The digital heat controller has been created for hardwired installation only
- During the installation ensure that the gasket is in the original and appropriate location, for water protection
- Utilize the digital heat controller not as described in this manual may cause fire, electric shocks or injuries

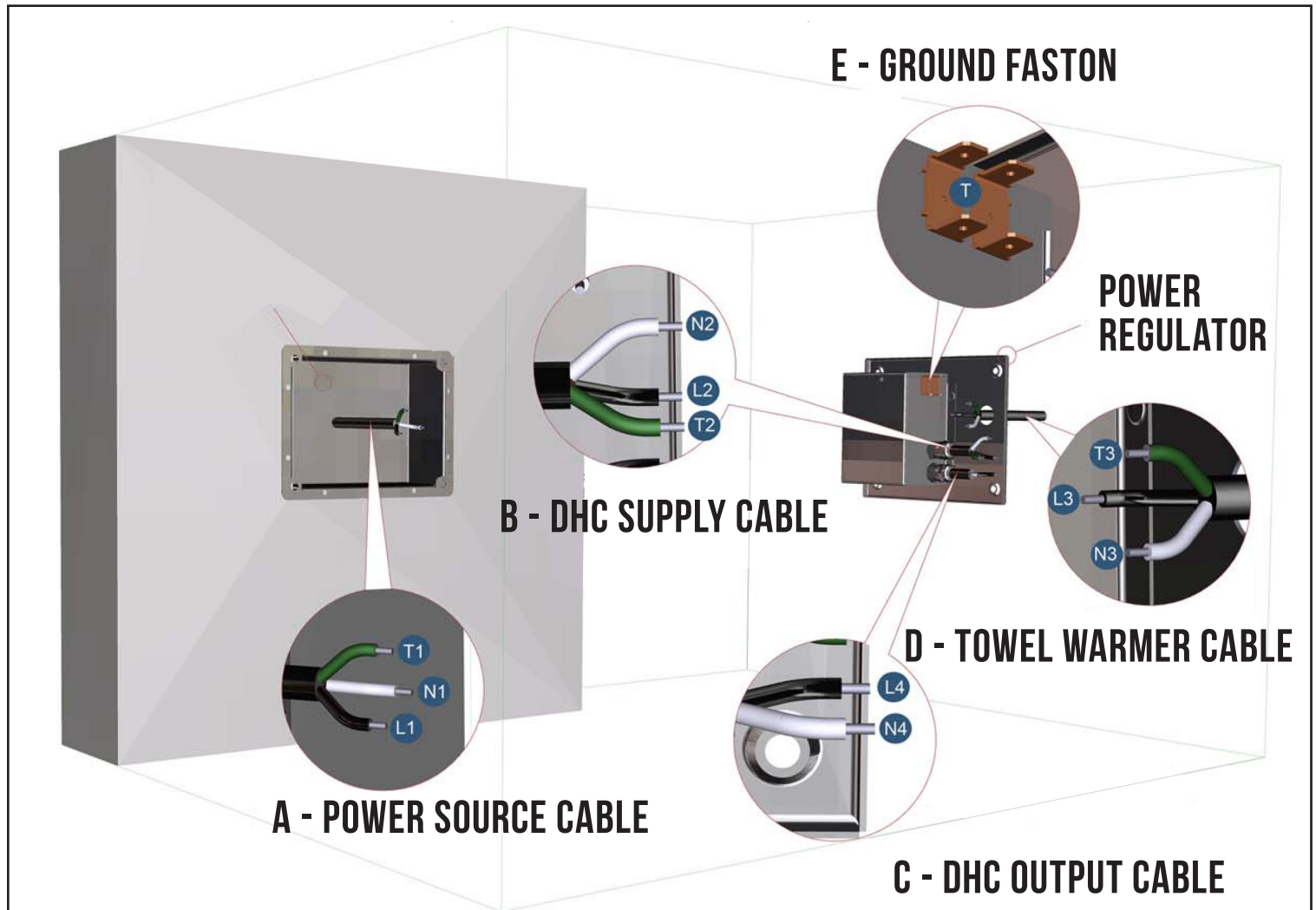
## MAINTENANCE

- Before performing maintenance ensure that the power source switch is in off position
- Clean the outside surface with a soft cloth and liquid detergent, similar to glass cleaning
- Do not use abrasive or scouring products
- To maintain the delicate external finishes, rub with a soft cloth following the grain of the brushed finish; for polished finishes do not clean by moving cloth in a circular motion
- For any questions or concerns contact Amba Products

# DIGITAL HEAT CONTROLLER (DHC) INSTALLATION

## INSTRUCTIONS

## STEP 1



1 Connect T1 [A]-T2[B]-T3[D] to faston T[E]

2 Connect L 1 [A]-L2[B]

3 Connect N 1 [A]-N2[B]

4 Connect N3[D]-N4[C]

5 Connect L3[D]-L4[C]

## STEP 2

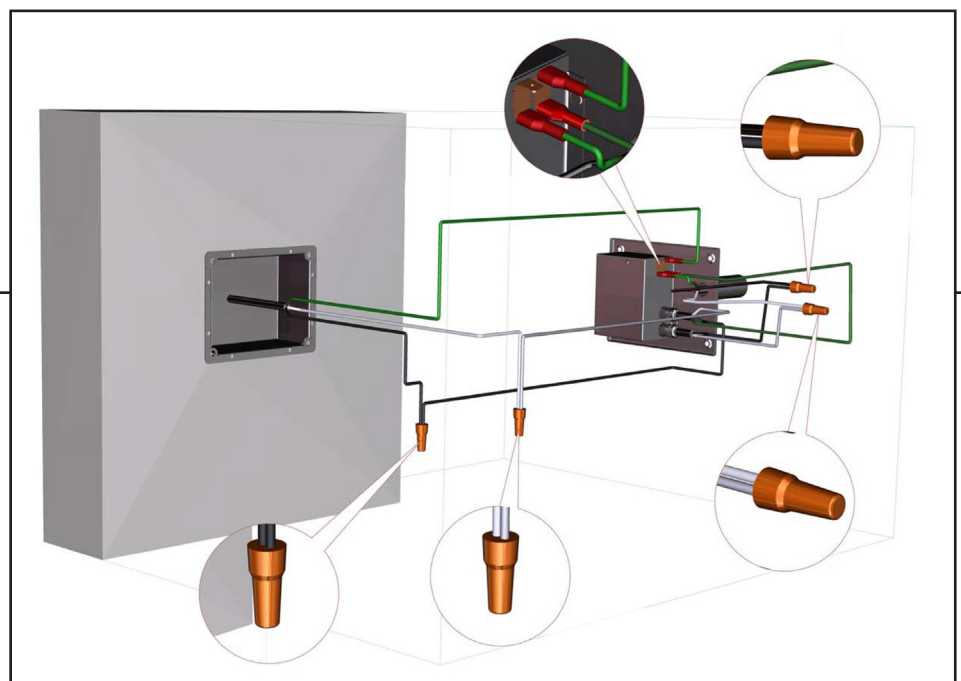
### Level Settings:

1 – Minimum Heat

9 – Maximum Heat

Can be wired in conjunction  
with a programmable timer.

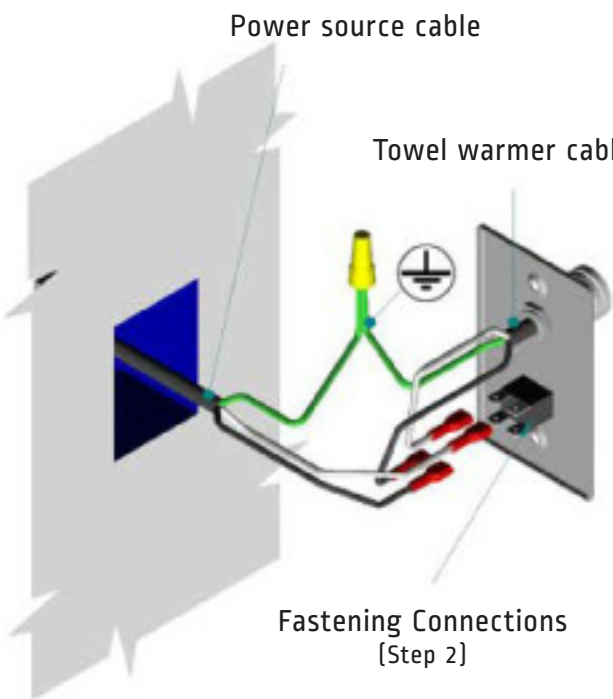
[CONSULT ELECTRICIAN]



# SWITCH INSTALLATION

## FOR UNITS WITHOUT DIGITAL HEAT CONTROLLER

### COMPONENTS



Power source cable


Towel warmer cable

- Connect the two grounding cables (green)
- Consider the button as 2 separate vertical sections, one on the right and one on the left
- Connect the fastenings of the power source cable to one section, it doesn't matter which
- Connect the fastenings of the towel warmer's cable to the other section

See the example below

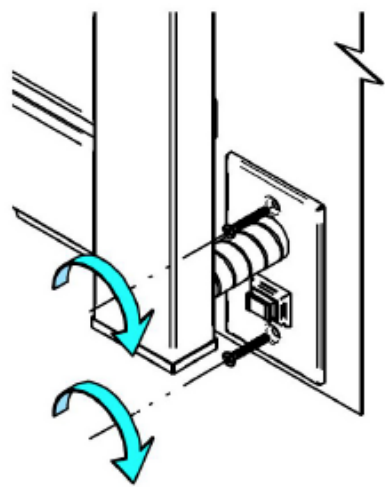
Fastening Connections  
(Step 2)

### FASTENING CONNECTIONS



- Connect one cable to the left section:  
Electrical bridge = 1.1 – 2.2
- Connect the other cable to the right:  
Electrical bridge = 1.2 – 2.1

### WALL PLATE



- Fix the stainless steel wall-plate with the provided screws;